

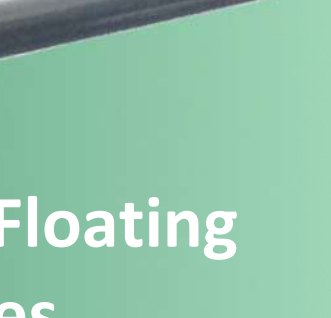
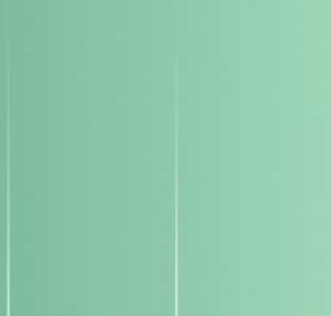


# Azzalin

International Valves Manufacturer



## Azzalin® Floating Ball Valves



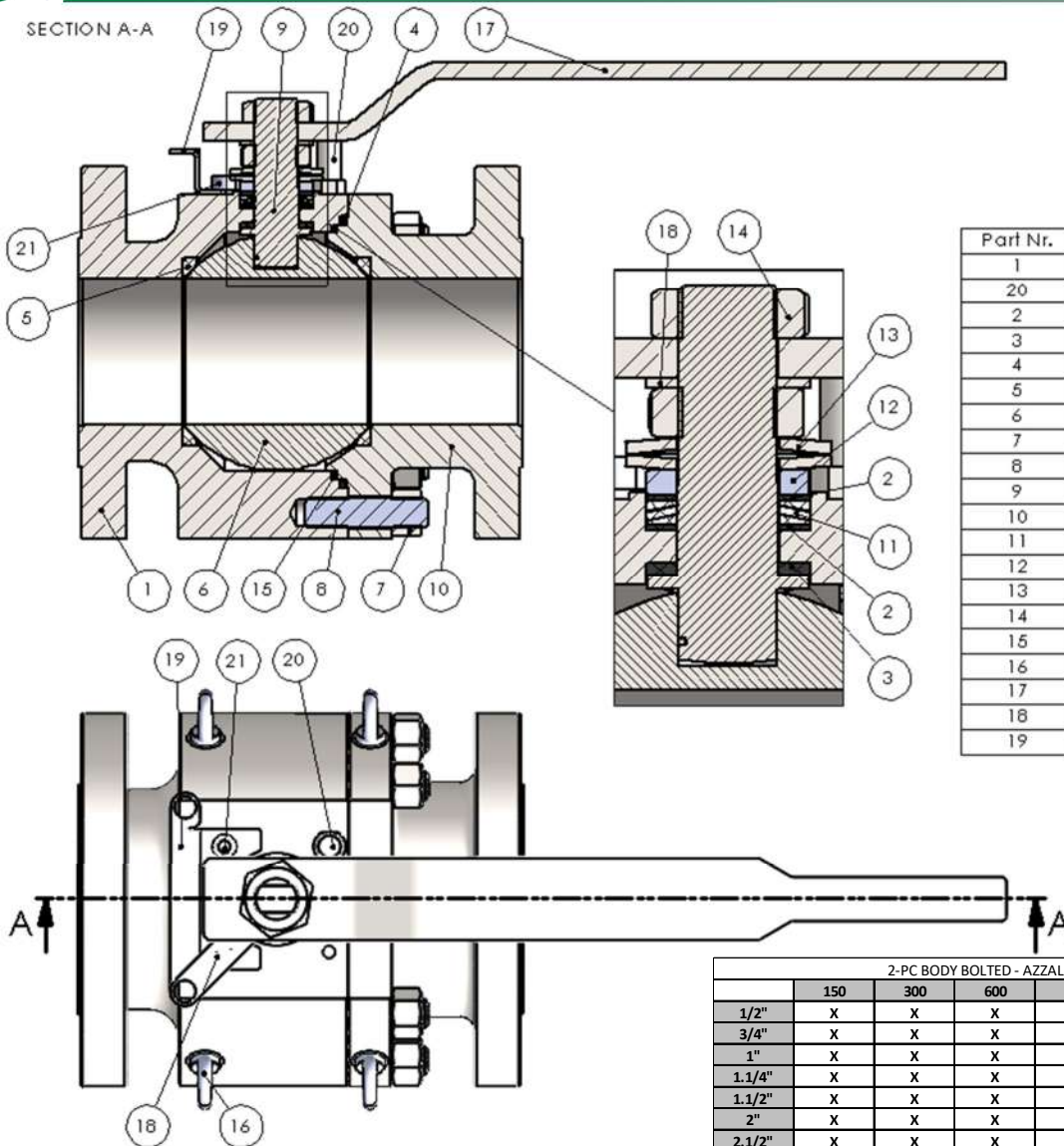


**EVO-2P Series**  
Exploded View



# EVO-2P Series

## Section View



Part Nr.	Part
1	BODY
20	STOP
2	STEM FIRE SAFE GASKET
3	LOWER STEM GASKET
4	BODY FIRE SAFE GASKET
5	INSERT
6	OBTURATOR
7	NUT
8	STUD BOLT
9	STEM
10	END CONNECTOR
11	CHEVRON PACK
12	SPACER
13	CONICAL DISC SPRING
14	STEM RETAINER
15	PRIMARY BODY GASKET
16	LIFTING EYEBOLT
17	LEVER
18	LOCKING DEVICE
19	LOCKING PLATE

2-PC BODY BOLTED - AZZALIN MODEL EVO-2P							
	150	300	600	800	900	1500	2500
1/2"	X	X	X	X	X	X	X
3/4"	X	X	X	X	X	X	X
1"	X	X	X	X	X	X	X
1.1/4"	X	X	X				
1.1/2"	X	X	X		X	X	
2"	X	X	X				
2.1/2"	X	X	X				
3"	X	X	X				
4"	X	X					
6"	X	X					

### FEATURES

- Bolted body type, 2-piece
- Floating ball
- Full and reduced bore
- End to end dimensions: ASME B16.10 & UNI EN 558-2
- Antiblowout stem
- Antistatic device
- ISO 5211 top flange
- Ends: flanged, butt welding, socket welding, plain ends, threaded ISO GAS 228/1 & NPT ASME B1.20.1, male & female

### STANDARDS

- Min. thickness according to ASME B16.34
- Fire safe certified according to API 607 5<sup>th</sup> ed. & EN ISO 10497

- Body joints according to ASME VIII Div.1/Div.2 & ASME B16.34 upon request
- Wet materials according to NACE MR-0175

### MATERIALS

- Body / end connector: carbon steel, stainless steel, duplex&superduplex, titanium upon request
- Obturator: stainless steel, duplex&superduplex, other upon request
- Stem: stainless steel, duplex&superduplex, other upon request
- Insert: PTFE, RPTFE, DEVLON, PEEK, other upon request
- Gaskets: PTFE, FKM, HNBR, PTFE+ELGILOY, GRAPHITE, other upon request
- Lever / stem fittings: stainless steel grade 304/316