



Azzalin

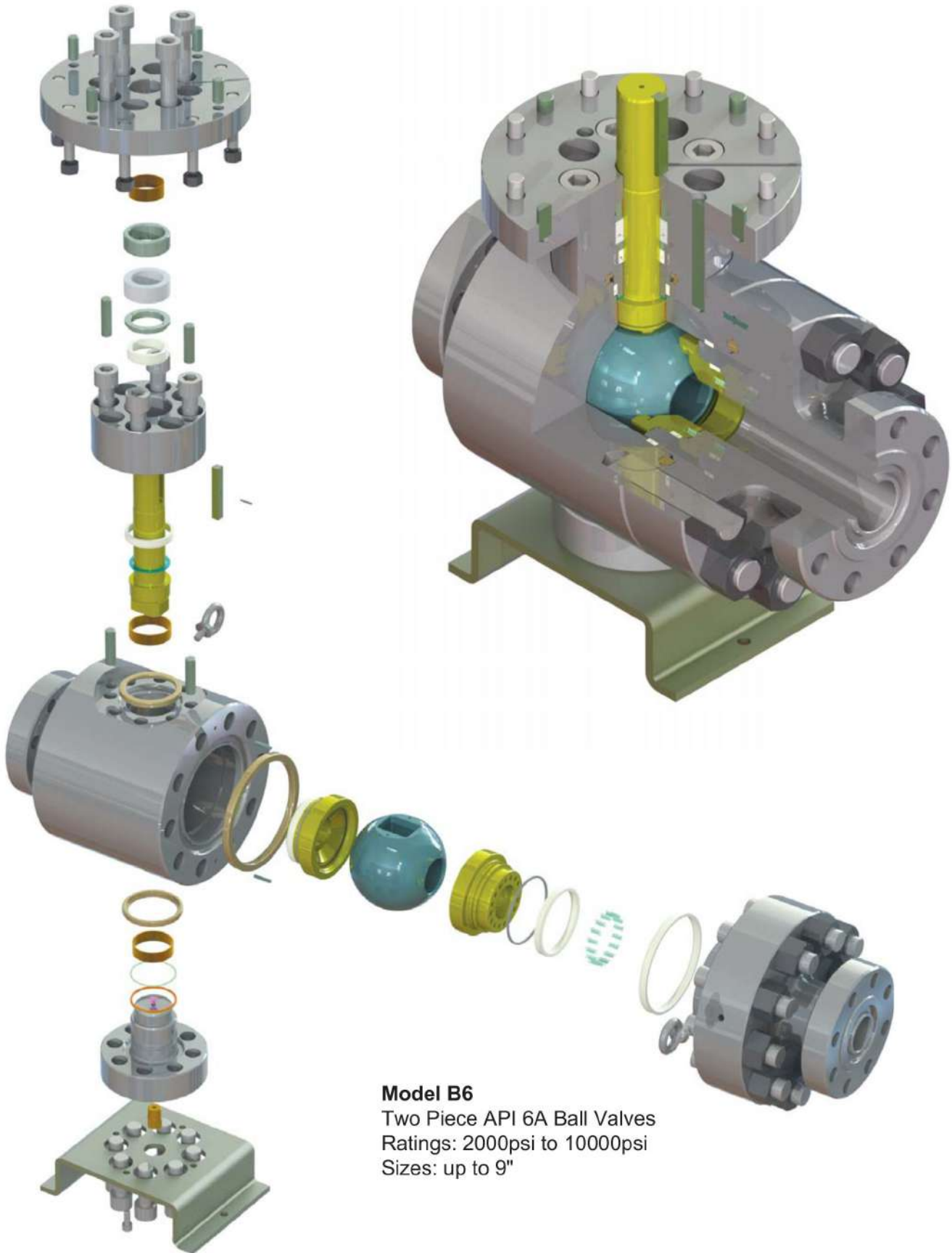
International Valves Manufacturer

AZZALIN® API 6A Ball Valves





PRODUCT SERIES - B6



Model B6

Two Piece API 6A Ball Valves

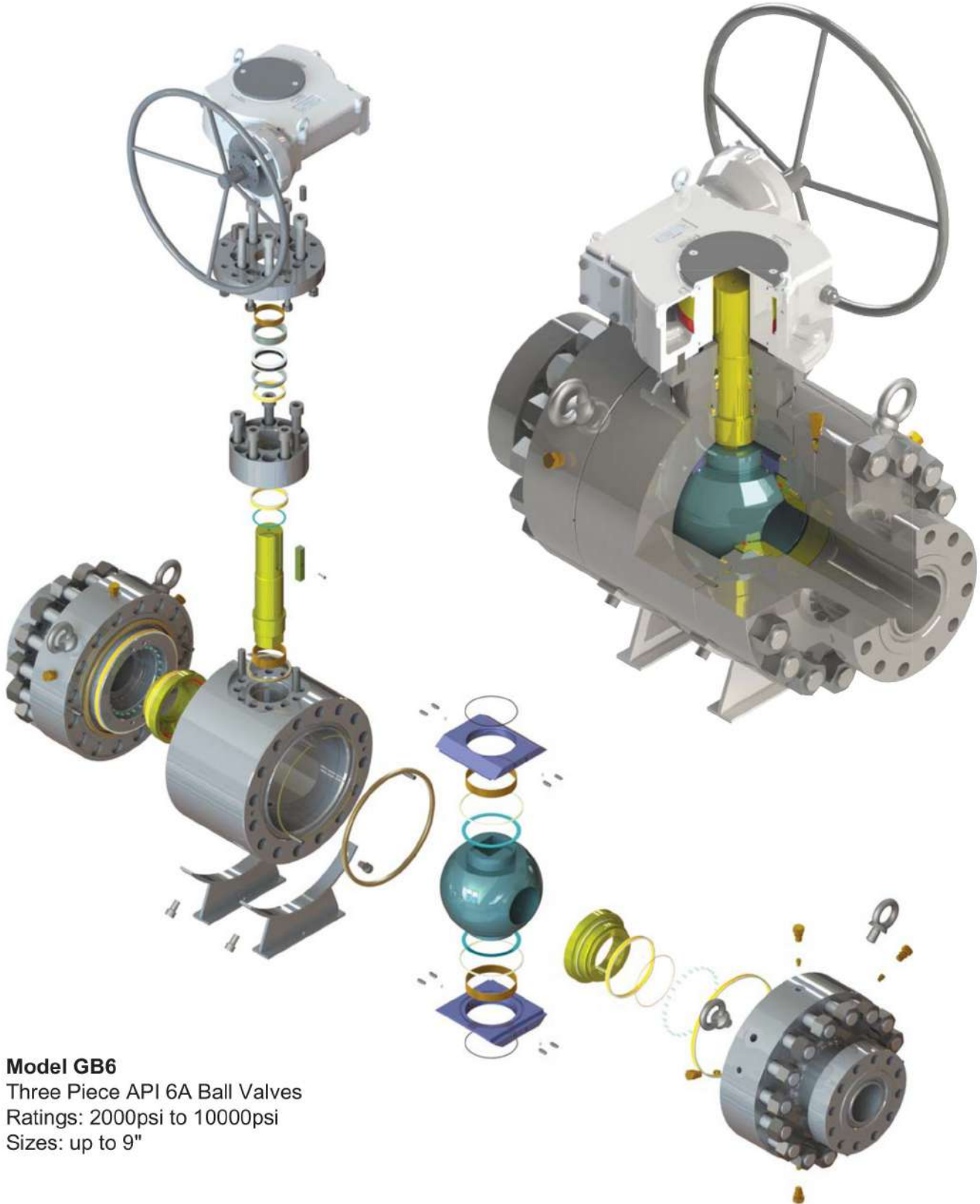
Ratings: 2000psi to 10000psi

Sizes: up to 9"

Note: RTJ, BW and Hub ends are available.



PRODUCT SERIES - GB6

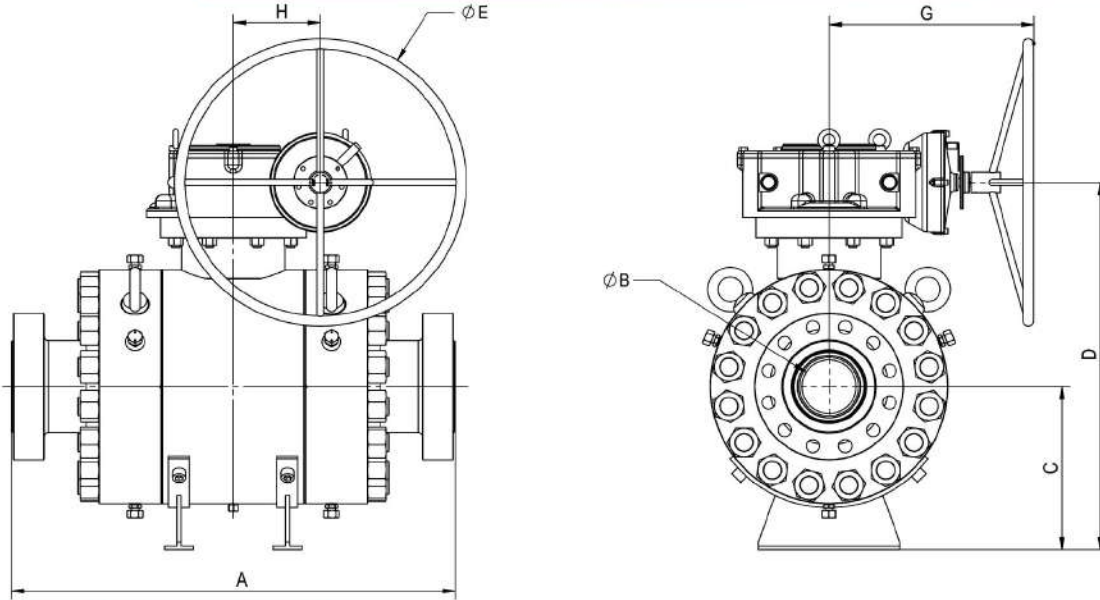


Model GB6
Three Piece API 6A Ball Valves
Ratings: 2000psi to 10000psi
Sizes: up to 9"

Note: Face to face dimension of this model can be customized to cater customers' needs in special applications.



DIMENSIONS



2,000psi Working Pressure

VALVE SIZE		BORE SIZE		A		C		D		E		G		H		RTJ GROOVE
NPS		B		Inch	mm	Inch	mm	Inch	mm	Inch	mm	Inch	mm	Inch	mm	
Inch		Inch	mm	Inch	mm	Inch	mm	Inch	mm	Inch	mm	Inch	mm	Inch	mm	
2-1/16		2.09	53.1	11.62	295	9.06	230	17.72	450	15.75	400	9.45	240	2.36	60	R23
2-9/16		2.59	65.8	13.12	333	9.84	250	19.69	500	15.75	400	10.63	270	2.95	75	R26
3-1/8		3.22	81.8	14.12	359	11.81	300	21.65	550	19.69	500	10.63	270	2.95	75	R31
4-1/16		4.28	108.7	17.12	435	12.99	330	24.80	630	23.62	600	11.81	300	3.54	90	R37
5-1/8		5.16	131.1	29.53	750	14.96	380	30.31	770	23.62	600	14.17	360	4.33	110	R41
7-1/16		7.16	181.9	33.46	850	18.50	470	36.61	930	27.56	700	15.75	400	5.12	130	R45
9		9.03	229.4	47.64	1210	20.87	530	46.46	1180	27.56	700	17.72	450	5.51	140	R49
11		11.03	280.2	53.54	1360	22.05	560	49.21	1250	31.50	800	19.29	490	7.48	190	R53

3,000psi Working Pressure

VALVE SIZE		BORE SIZE		A		C		D		E		G		H		RTJ GROOVE
NPS		B		Inch	mm	Inch	mm	Inch	mm	Inch	mm	Inch	mm	Inch	mm	
Inch		Inch	mm	Inch	mm	Inch	mm	Inch	mm	Inch	mm	Inch	mm	Inch	mm	
2-1/16		2.09	53.1	14.62	371	9.06	230	18.31	465	15.75	400	10.63	270	2.95	75	R24
2-9/16		2.59	65.8	16.62	422	9.84	250	20.08	510	15.75	400	11.81	300	3.54	90	R27
3-1/8		3.22	81.8	15.12	384	11.81	300	21.65	550	19.69	500	11.81	300	3.54	90	R31
4-1/16		4.28	108.7	18.12	460	12.99	330	25.00	635	23.62	600	14.17	360	4.33	110	R37
5-1/8		5.16	131.1	29.53	750	14.96	380	30.51	775	23.62	600	15.75	400	5.12	130	R41
7-1/16		7.16	181.9	33.46	850	18.50	470	37.01	940	27.56	700	17.72	450	5.51	140	R45
9		9.03	229.4	47.64	1210	20.87	530	47.24	1200	27.56	700	19.29	490	7.48	190	R49
11		11.03	280.2	53.54	1360	22.05	560	49.21	1250	31.50	800	19.69	500	8.27	210	R53

5,000psi Working Pressure

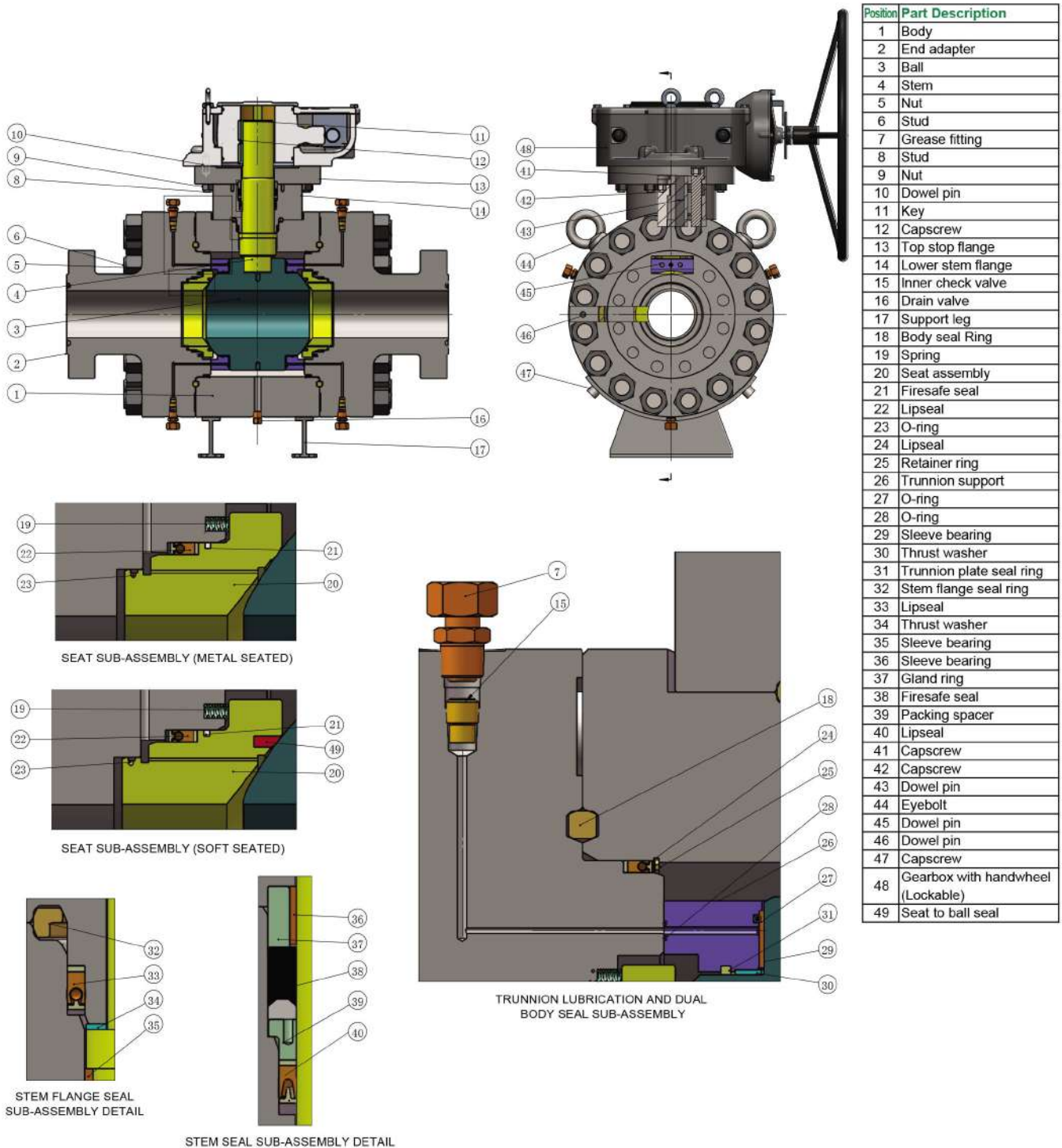
VALVE SIZE		BORE SIZE		A		C		D		E		G		H		RTJ GROOVE
NPS		B		Inch	mm	Inch	mm	Inch	mm	Inch	mm	Inch	mm	Inch	mm	
Inch		Inch	mm	Inch	mm	Inch	mm	Inch	mm	Inch	mm	Inch	mm	Inch	mm	
2-1/16		2.09	53.1	14.62	371	9.84	250	20.08	510	15.75	400	11.81	300	3.54	90	R24
2-9/16		2.59	65.8	18.62	473	10.63	270	22.24	565	19.69	500	14.17	360	4.33	110	R27
3-1/8		3.22	81.8	18.62	473	12.60	320	25.20	640	19.69	500	14.17	360	4.33	110	R35
4-1/16		4.28	108.7	21.62	549	14.17	360	29.53	750	23.62	600	15.75	400	5.12	130	R39
5-1/8		5.16	131.1	33.46	850	15.35	390	33.46	850	27.56	700	17.72	450	5.51	140	R44
7-1/16		7.16	181.9	40.98	1041	20.47	520	45.28	1150	27.56	700	19.29	490	7.48	190	R46
9		9.03	229.4	62.99	1600	25.59	650	53.54	1360	31.50	800	19.69	500	8.27	210	R50
11		11.03	280.2	66.93	1700	28.35	720	59.84	1520	35.43	900	23.62	600	10.24	260	R54

10,000psi Working Pressure

VALVE SIZE		BORE SIZE		A		C		D		E		G		H		RTJ GROOVE
NPS		B		Inch	mm	Inch	mm	Inch	mm	Inch	mm	Inch	mm	Inch	mm	
Inch		Inch	mm	Inch	mm	Inch	mm	Inch	mm	Inch	mm	Inch	mm	Inch	mm	
1-13/16		1.84	46.7	18.25	464	9.84	250	20.47	520	19.69	500	14.17	360	4.33	110	BX151
2-1/16		2.09	53.1	20.50	521	10.24	260	21.65	550	23.62	600	16.54	420	5.12	130	BX152
2-9/16		2.59	65.8	22.25	565	11.81	300	24.02	610	23.62	600	17.72	450	5.51	140	BX153
3-1/16		3.22	81.8	24.38	619	13.39	340	27.56	700	27.56	700	18.90	480	7.48	190	BX154
4-1/16		4.28	108.7	26.38	670	14.96	380	33.46	850	27.56	700	18.90	480	7.48	190	BX155
5-1/8		5.16	131.1	41.93	1065	15.75	400	36.22	920	27.56	700	19.69	500	8.27	210	BX169
7-1/16		7.16	181.9	66.93	1700	21.65	550	51.97	1320	31.50	800	23.62	600	10.24	260	BX156
9		9.03	229.4	70.87	1800	27.56	700	59.06	1500	35.43	900	29.53	750	11.81	300	BX157
11		11.03	280.2	74.81	1900	33.46	850	67.32	1710	39.37	1000	29.53	750	11.81	300	BX158

Notes: Dimensions may be subject to change without notice, please contact the factory for latest updates and non-listed valve sizes.
Regular port is available upon request.

DESIGN FEATURES



FEATURES

- Bolted body type, 2 & 3 pieces
- Trunnion mounted, double block and bleed
- Double piston effect, single piston effect, or combination of the two seat designs
- Metal to metal seated and soft seated with resin insert options
- All forged steel components
- Full and reduced port
- Available with RTJ, BW and Hub end connections
- Anti-blow out stem design
- Anti-static devices
- Bubble tight shut-off
- NACE MR0175 SOUR
- Firesafe certified to API 6FA