

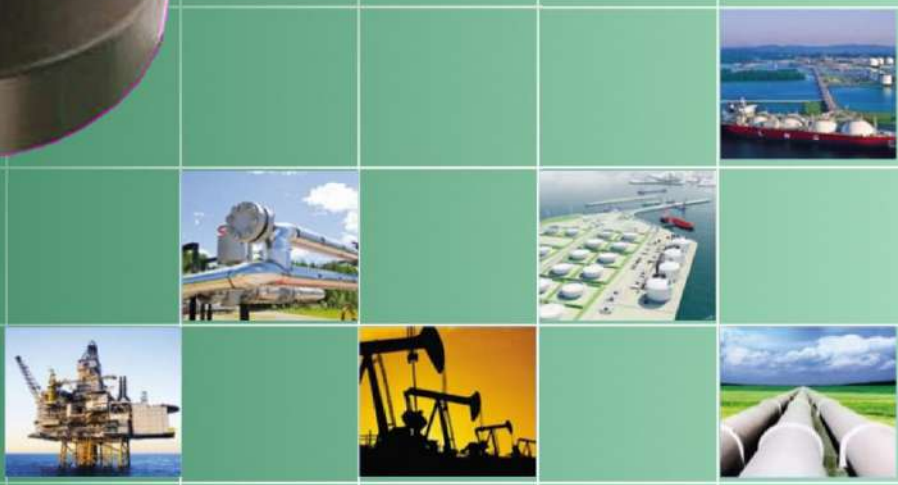


Azzalin

International Valves Manufacturer



Azzalin® Double Block&Bleed
Floating Ball Valves



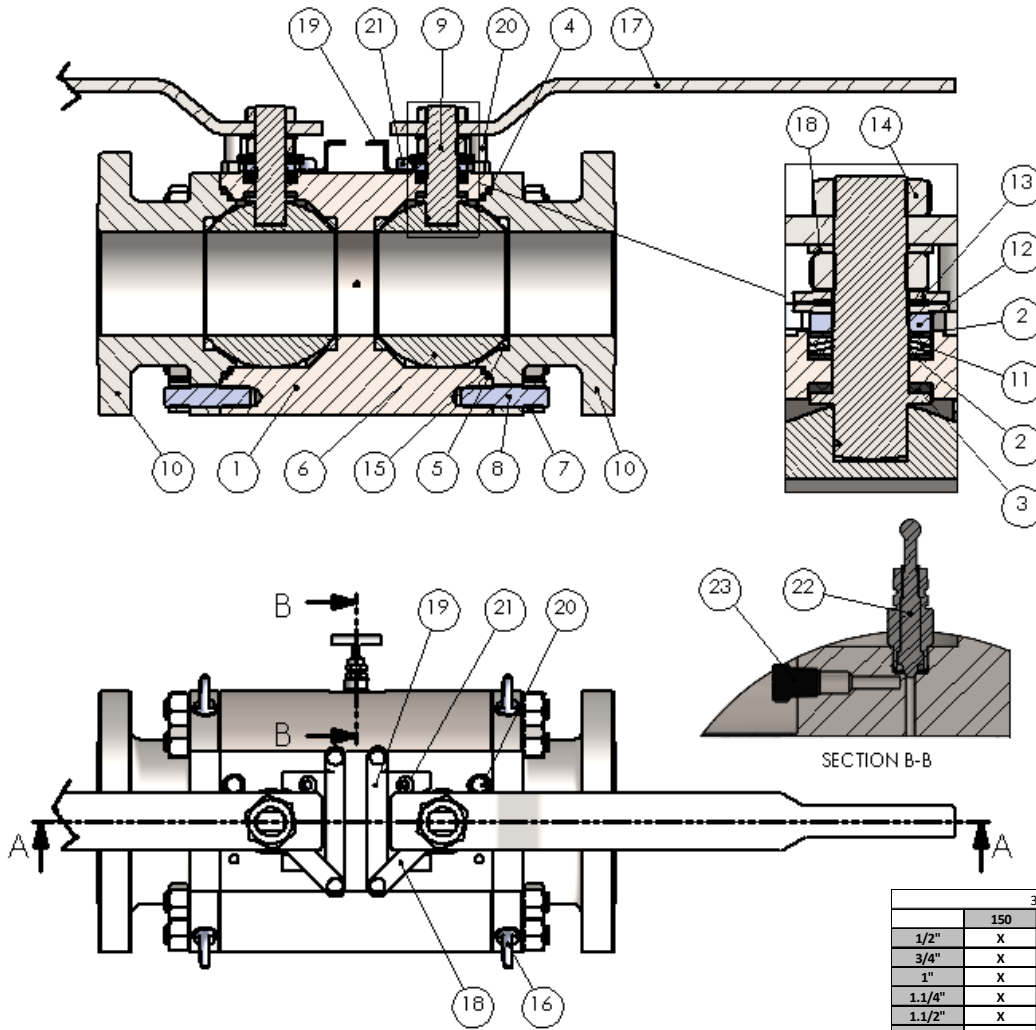
www.azzalinsrl.it



EVO-DBB Series
Exploded View



EVO-DBB Series Exploded View



Part Nr.	Part
1	BODY
2	STEM FIRE SAFE GASKET
3	LOWER STEM GASKET
4	BODY FIRE SAFE GASKET
5	INSERT
6	OBTURATOR
7	NUT
8	STUD BOLT
9	STEM
10	END CONNECTOR
11	CHEVRON PACK
12	SPACER
13	CONICAL DISC SPRING
14	STEM RETAINER
15	PRIMARY BODY GASKET
16	LIFTING EYEBOLT
17	LEVER
18	LOCKING DEVICE
19	LOCKING PLATE
20	STOP
21	SCREW
22	NEEDLE VALVE
23	DRAIN PLUG

3-PC BODY BOLTED DBB - AZZALIN MODEL EVO-DBB							
	150	300	600	800	900	1500	2500
1/2"	X	X	X	X	X	X	X
3/4"	X	X	X	X	X	X	X
1"	X	X	X	X	X	X	X
1.1/4"	X	X	X				
1.1/2"	X	X	X		X	X	
2"	X	X	X				
2.1/2"	X	X	X				
3"	X	X	X				
4"	X	X	X				
6"	X	X	X				

FEATURES

- Bolted body type, 3-piece
- Floating ball
- Full and reduced bore
- Needle valve
- Needle port plug upon request
- Antiblowout stem
- Antistatic device
- ISO 5211 top flange
- Ends: flanged, butt welding, socket welding, plain ends, threaded ISO GAS 228/1 & NPT ASME B1.20.1, male & female
- Quill of any length available upon request

STANDARDS

- End to end dimensions: manufacturer standard
- Min. thickness according to ASME B16.34

- Body joints according to ASME VIII Div.1/Div.2 &
- Fire safe certified according to API 607 5th ed. & EN ISO 10497
- ASME B16.34 upon request
- Wet materials according to NACE MR-0175

MATERIALS

- Body / end connector: carbon steel, stainless steel, duplex&superduplex, titanium upon request
- Obturator: stainless steel, duplex&superduplex, other upon request
- Stem: stainless steel, duplex&superduplex, other upon request
- Insert: PTFE, RPTFE, DEVLON, PEEK, other upon request
- Gaskets: PTFE, FKM, HNBR, PTFE+ELGILOY, GRAPHITE, other upon request
- Lever / stem fittings: stainless steel grade 304/316
- Needle valve: stainless steel, duplex&superduplex