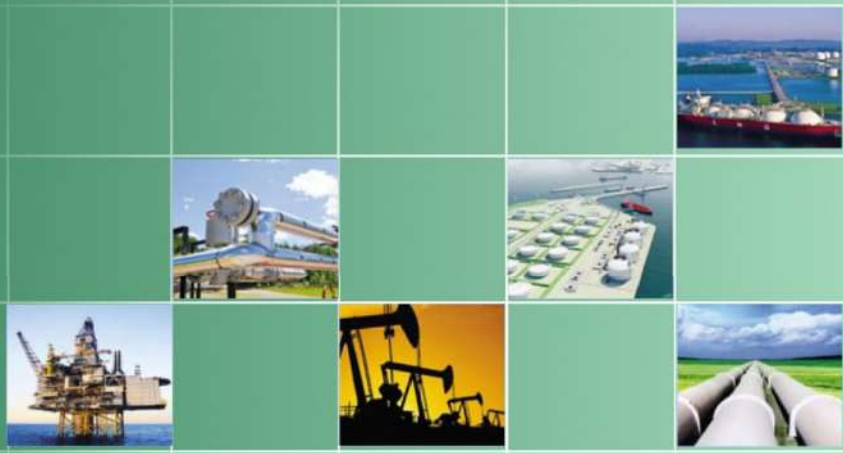




Azzalin
International Valves Manufacturer

Azzalin® Double Block&Bleed Trunnion Ball Valves



www.azzalinsrl.it



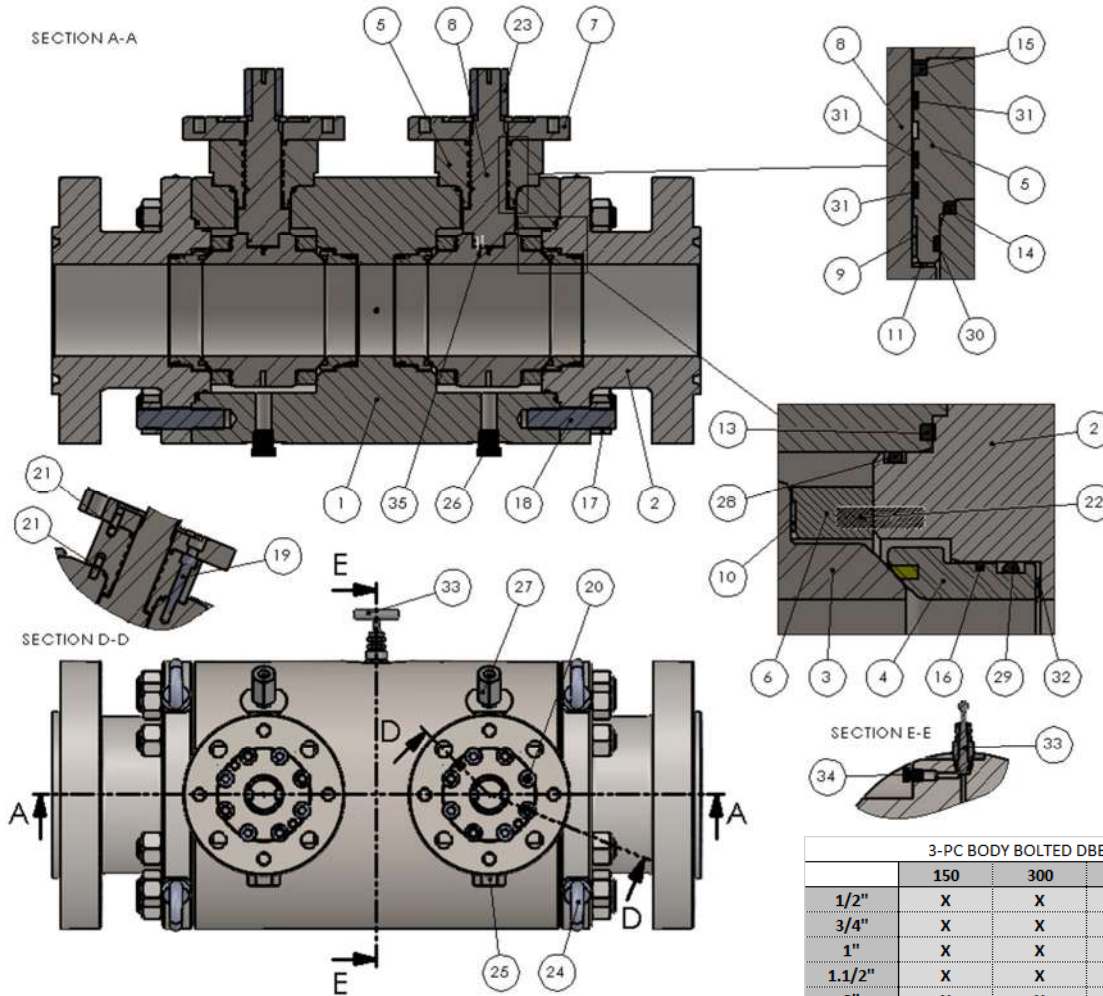
EVO-DBBTR Series
Exploded View





EVO-DBBTR Series

Section View



Part Nr.	Part
1	BODY
2	END CONNECTOR
3	OBTURATOR
4	SEAT RING
5	BODY COVER
6	BEARING RETAINER
7	OPERATOR FLANGE
8	STEM
9	STEM BEARING
10	OBTURATOR BEARING
11	STEM WASHER
12	OBTURATOR WASHER
13	BODY FIRE SAFE GASKET
14	BODY COVER FIRE SAFE GASKET
15	STEM FIRE SAFE GASKET
16	SEAT FIRE SAFE GASKET
17	NUT
18	STUD BOLT
19	BODY COVER/BODY SCREW
20	OPERATOR FLANGE/BODY COVER SCREW
21	BODY COVER PIN
22	BEARING RETAINER PIN
23	KEY
24	LIFTING EYEBOLT
25	STEM SEALANT INJECTOR
26	DRAIN PLUG
27	VENT BLEEDER
28	PRIMARY BODY GASKET
29	PRIMARY SEAT GASKET
30	PRIMARY BODY COVER GASKET
31	PRIMARY STEM GASKET
32	SEAT SPRING
33	NEEDLE VALVE
34	DRAIN PLUG
35	ANTISTATIC SPRING

3-PC BODY BOLTED DBB - AZZALIN MODEL EVO-DBBTR						
	150	300	600	900	1500	2500
1/2"	X	X	X	X	X	X
3/4"	X	X	X	X	X	X
1"	X	X	X	X	X	X
1.1/2"	X	X	X	X	X	X
2"	X	X	X	X	X	X
3"	X	X	X	X	X	X
4"	X	X	X	X	X	X
6"	X	X	X	X	X	X
8"	X	X	X	X	X	X
10"	X	X	X	X	X	X
12"	X	X	X	X	X	X
14"	X	X	X	X	X	
16"	X	X	X	X	X	
18"	X	X	X	X	X	
20"	X	X	X	X	X	
22"		X	X			
24"	X	X	X	X		
30"	X	X	X	X		
32"	X	X	X	X		
36"	X	X	X	X		

FEATURES

- Bolted body type, 3-piece
- Trunnion mounted, double block and bleed
- Full and reduced bore
- Needle valve
- Needle port plug upon request
- Antiblowout stem
- Antistatic device
- Double piston effect, self relieving seats, or combination of the two seat designs
- Ends: flanged, butt welding, socket welding, plain ends, threaded ISO GAS 228/1 & NPT ASME B1.20.1, male & female
- Quill of any length available upon request
- Emergency grease stem sealing
- Emergency grease seat-to-ball sealing available

STANDARDS

- End to end dimensions: manufacturer standard
- Min. thickness according to ASME B16.34
- Body joints according to ASME VIII Div.1/Div.2 &
- Fire safe certified according to API 607 5th ed. & EN ISO 10497
- ASME B16.34 upon request
- Wet materials according to NACE MR-0175

MATERIALS

- Body / end connector: carbon steel, stainless steel, duplex&superduplex, other upon request
- Obturator: stainless steel, duplex&superduplex, other upon request
- Stem: stainless steel, duplex&superduplex, other upon request
- Insert: PTFE, RPTFE, DEVLON, PEEK, other upon request
- Gaskets: PTFE, FKM, HNBR, PTFE+ELGILOY, GRAPHITE, other upon request
- Stem fittings: stainless steel grade 304/316, other upon request
- Needle valve: stainless steel, duplex&superduplex, other upon request